



DOUGHTY ENGINEERING LTD

DATA SHEET

TITLE: BASIC SLIMLINE QUICK TRIGGER CLAMP

PART NOS:
T58300 - SILVER
T58301 - BLACK

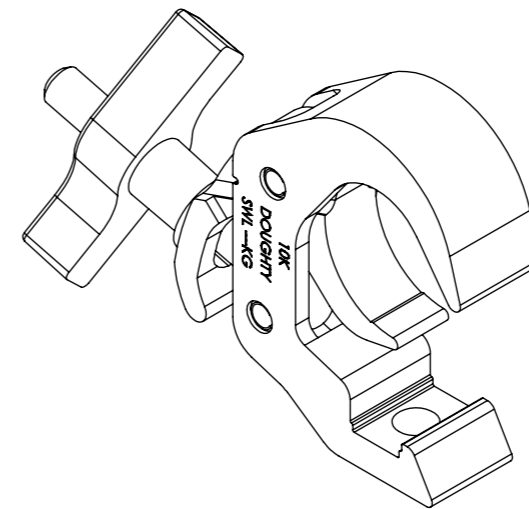
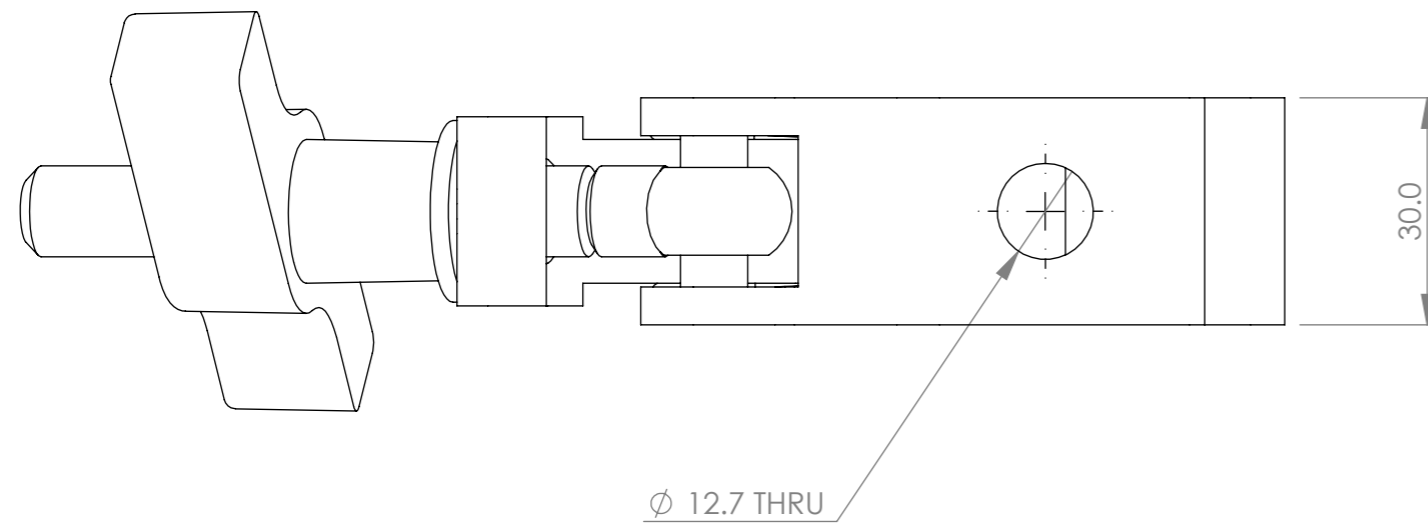
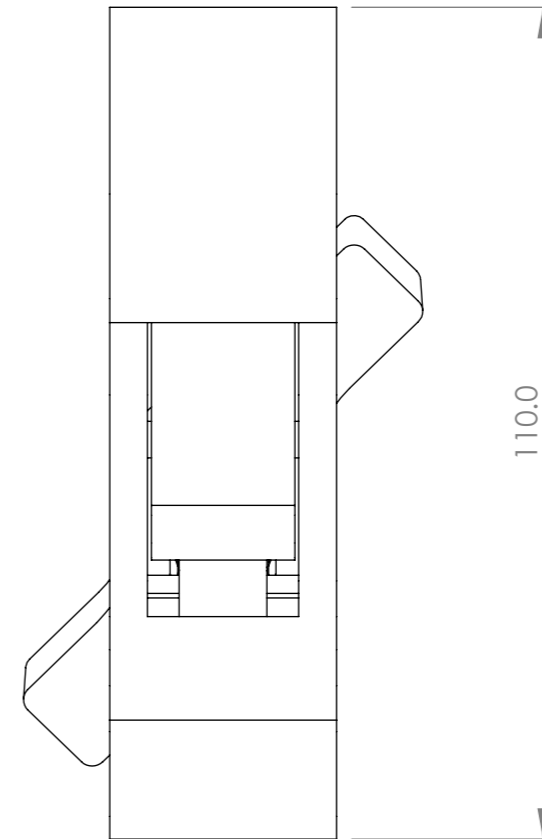
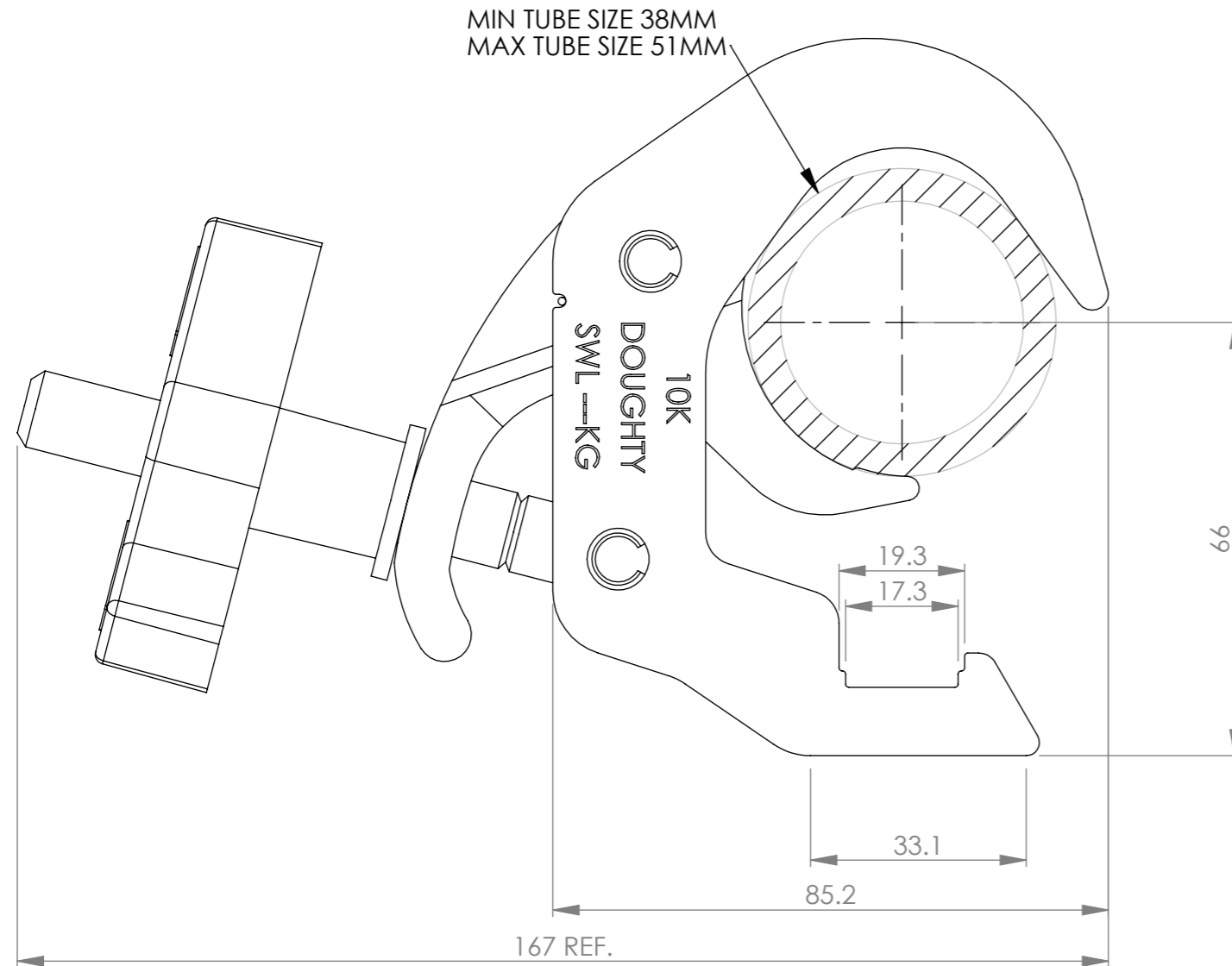
MATERIAL:
ALUMINIUM

WEIGHT:
0.49 KG

SWL:
100 KG

FINISH:
T58300 - POLISHED
T58301 - POWDER PAINTED BLACK

NOTES:
MIN TUBE SIZE - 38MM
MAX TUBE SIZE - 51MM



STRICTLY FOR REFERENCE PURPOSES ONLY



THIRD ANGLE PROJECTION